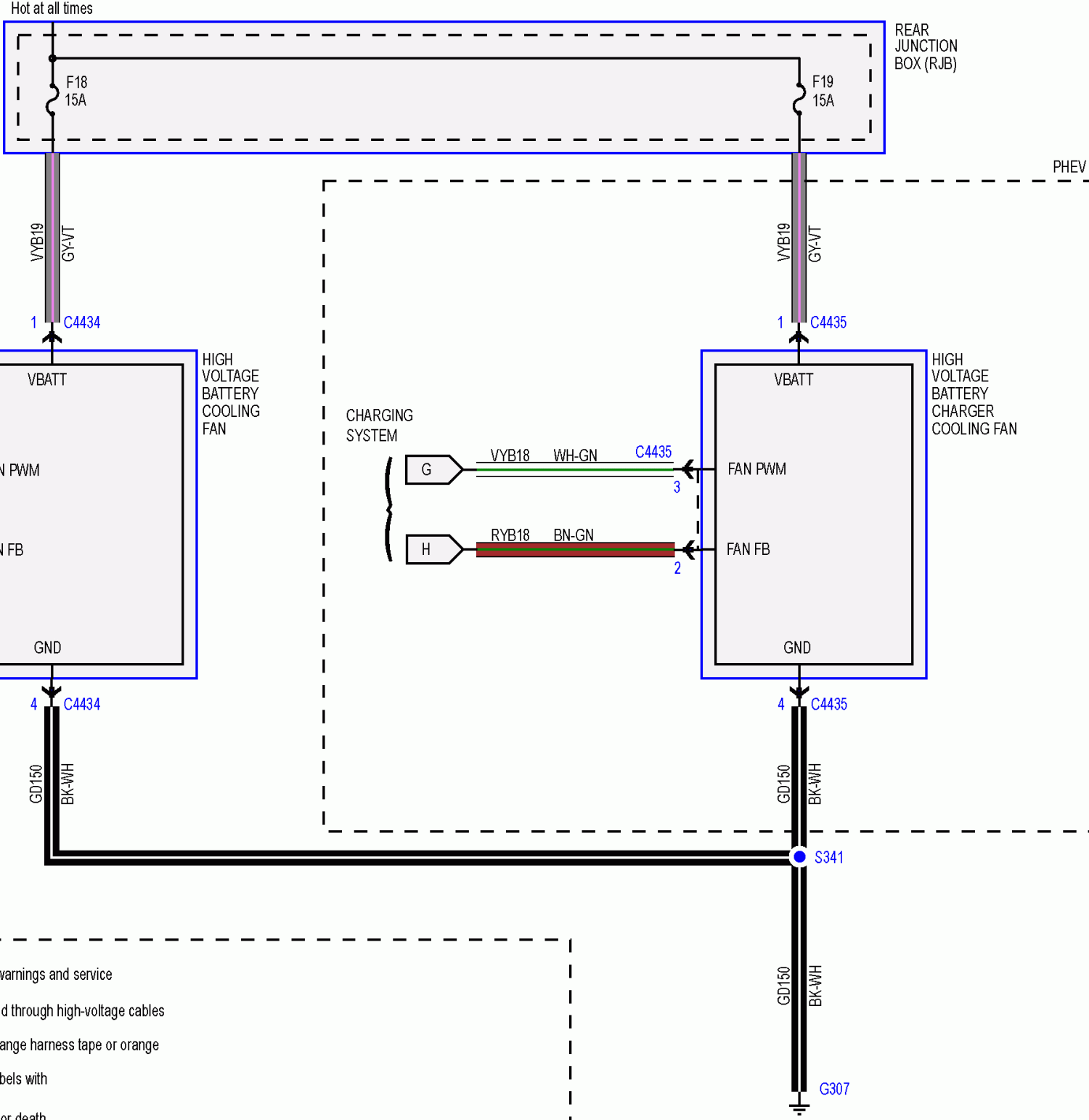
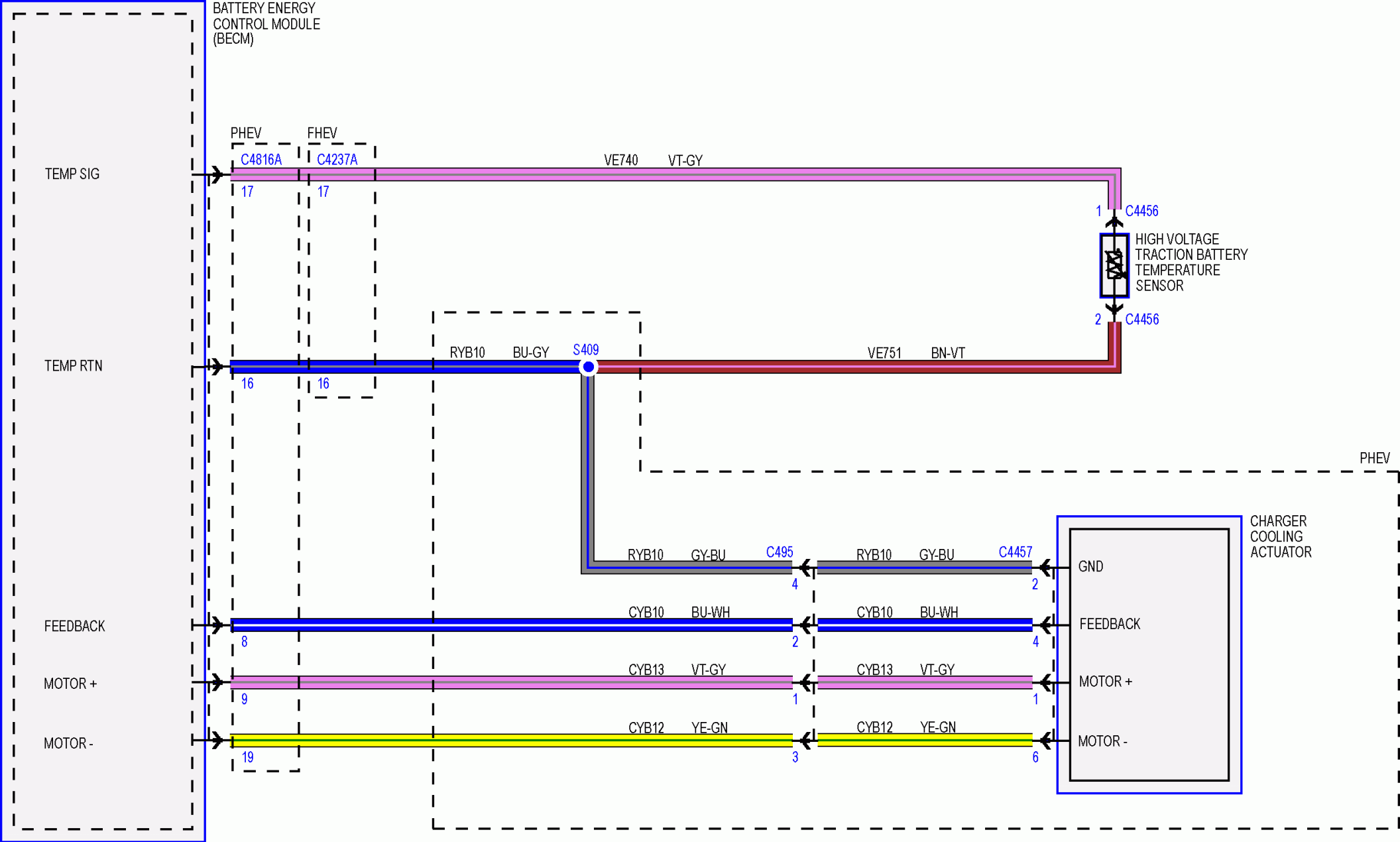


WARNING:

- To prevent the risk of high-voltage shock, always follow precisely all warnings and service instructions, including instructions to depower the system.
- The high-voltage system utilizes approximately 300 volts DC, provided through high-voltage cables to its components and modules.
- The high-voltage cables and wiring are identified on the vehicle by orange harness tape or orange wire covering.
- All high voltage components are marked with high voltage warning labels with a high voltage symbol.
- Failure to follow the instructions may result in serious personal injury or death.



WARNING:
 To prevent the risk of high-voltage shock, always follow precisely all warnings and service instructions, including instructions to depower the system.
 The high-voltage system utilizes approximately 300 volts DC, provided through high-voltage cables to its components and modules.
 The high-voltage cables and wiring are identified on the vehicle by orange harness tape or orange wire covering.
 All high voltage components are marked with high voltage warning labels with a high voltage symbol.
 Failure to follow the instructions may result in serious personal injury or death.



WARNING:

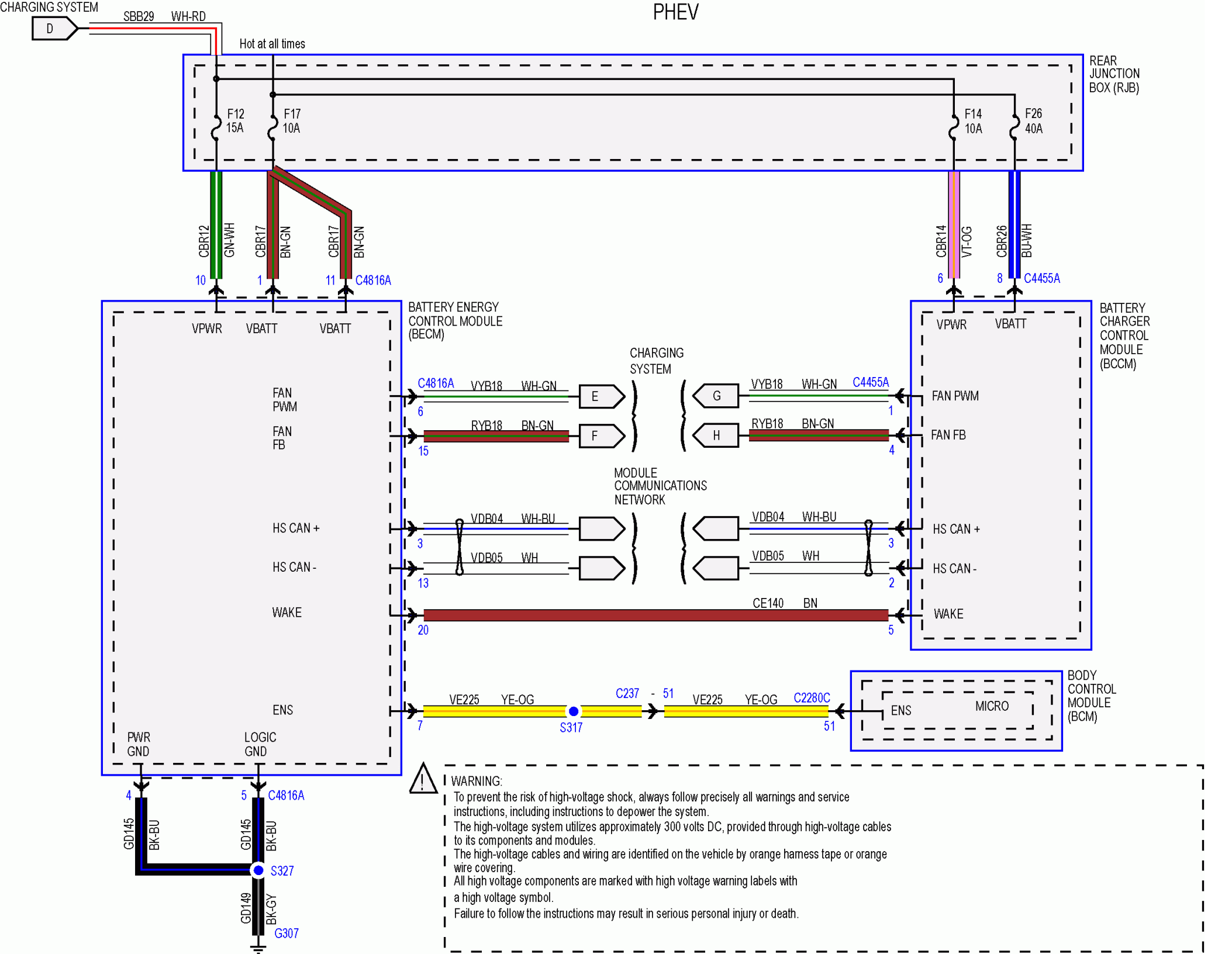
To prevent the risk of high-voltage shock, always follow precisely all warnings and service instructions, including instructions to depower the system.

The high-voltage system utilizes approximately 300 volts DC, provided through high-voltage cables to its components and modules.

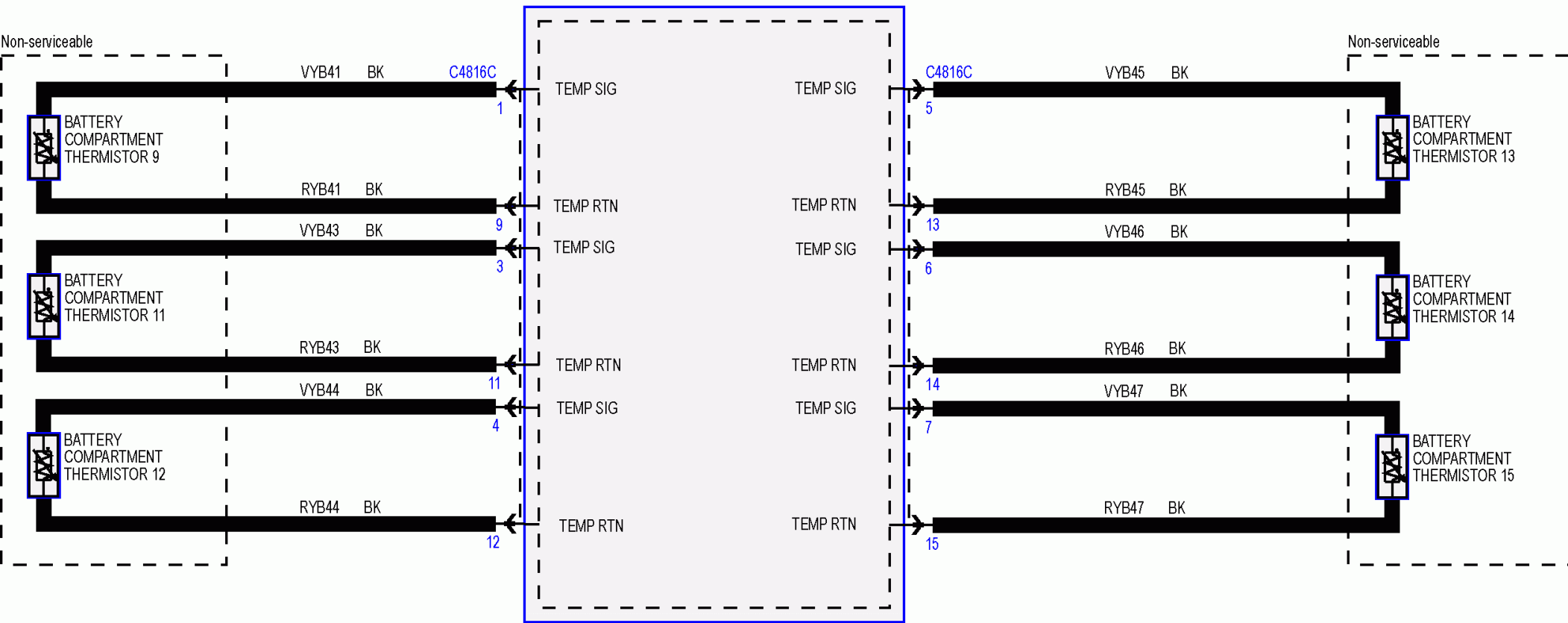
The high-voltage cables and wiring are identified on the vehicle by orange harness tape or orange wire covering.

All high voltage components are marked with high voltage warning labels with a high voltage symbol.

Failure to follow the instructions may result in serious personal injury or death.



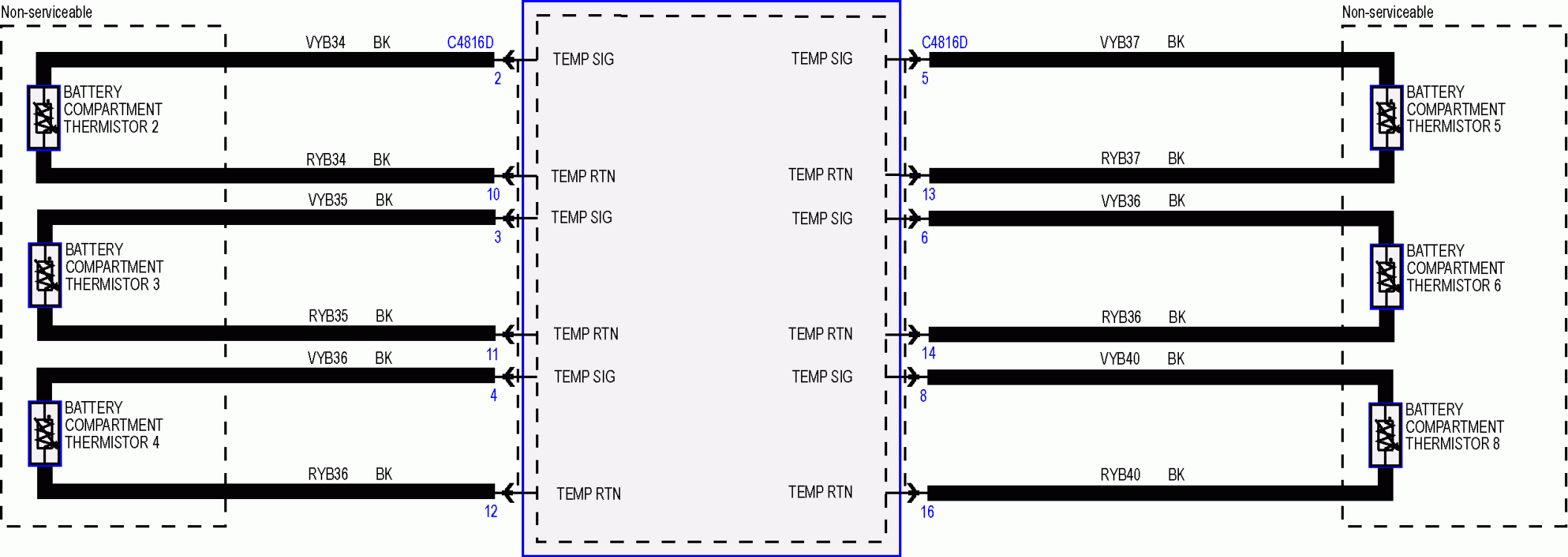
BATTERY ENERGY CONTROL MODULE (BECM)



WARNING:

- | To prevent the risk of high-voltage shock, always follow precisely all warnings and service instructions, including instructions to depower the system.
- | The high-voltage system utilizes approximately 300 volts DC, provided through high-voltage cables to its components and modules.
- | The high-voltage cables and wiring are identified on the vehicle by orange harness tape or orange wire covering.
- | All high voltage components are marked with high voltage warning labels with a high voltage symbol.
- | Failure to follow the instructions may result in serious personal injury or death.

BATTERY ENERGY CONTROL MODULE (BECM)

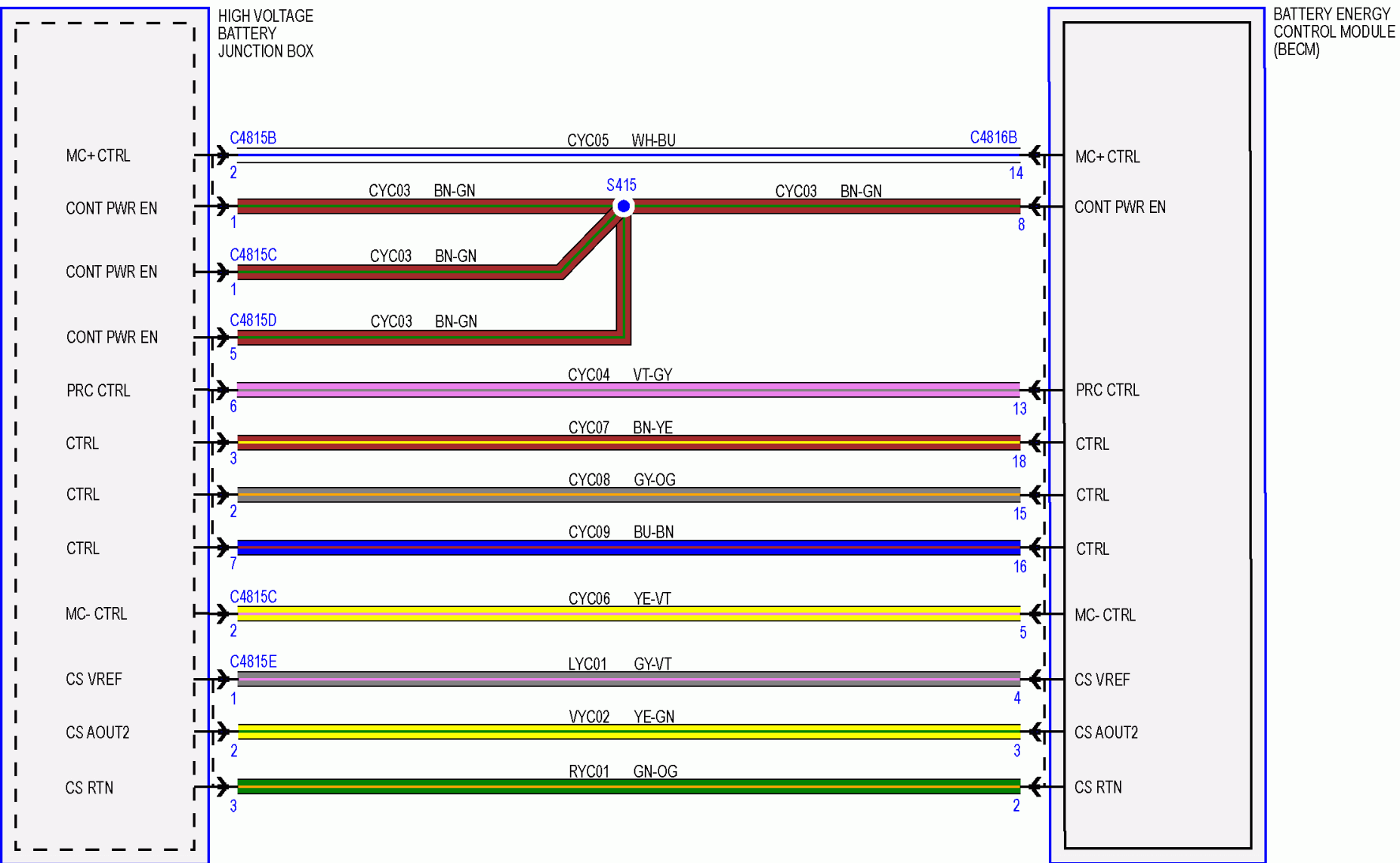


WARNING:

- | To prevent the risk of high-voltage shock, always follow precisely all warnings and service instructions, including instructions to depower the system.
- | The high-voltage system utilizes approximately 300 volts DC, provided through high-voltage cables to its components and modules.
- | The high-voltage cables and wiring are identified on the vehicle by orange harness tape or orange wire covering.
- | All high voltage components are marked with high voltage warning labels with a high voltage symbol.
- | Failure to follow the instructions may result in serious personal injury or death.



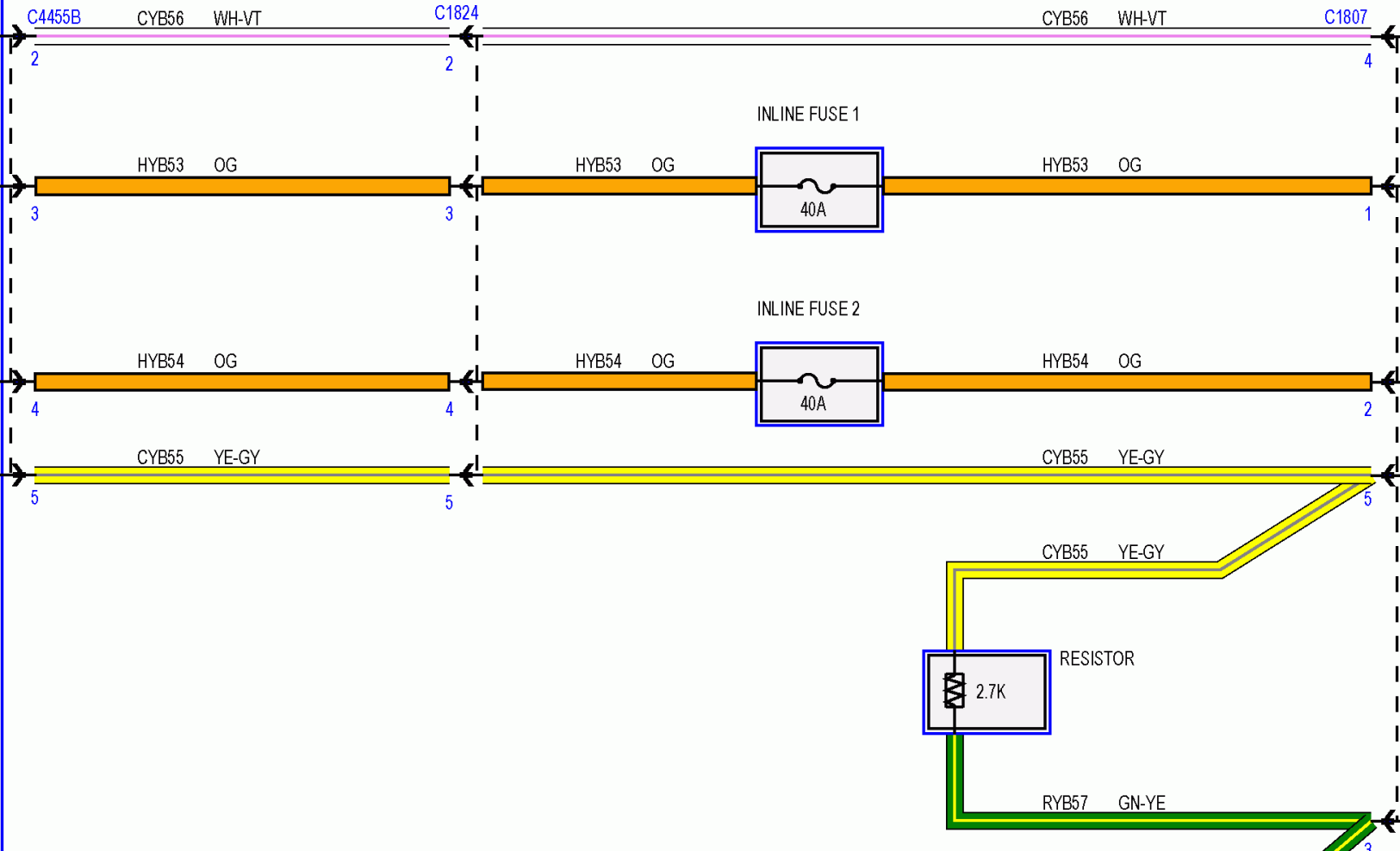
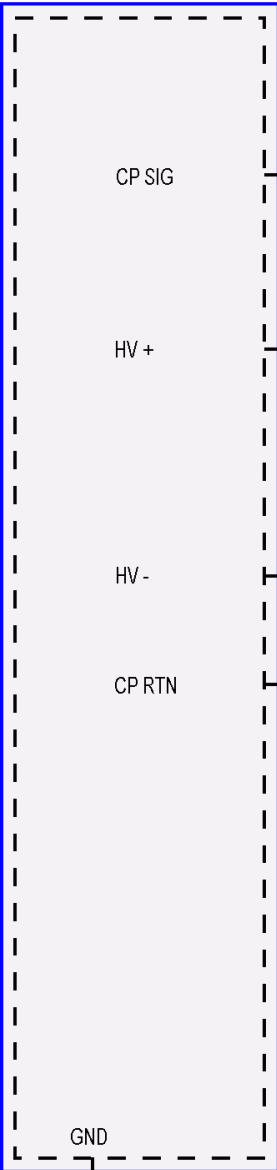
WARNING:
 To prevent the risk of high-voltage shock, always follow precisely all warnings and service instructions, including instructions to depower the system.
 The high-voltage system utilizes approximately 300 volts DC, provided through high-voltage cables to its components and modules.
 The high-voltage cables and wiring are identified on the vehicle by orange harness tape or orange wire covering.
 All high voltage components are marked with high voltage warning labels with a high voltage symbol.
 Failure to follow the instructions may result in serious personal injury or death.



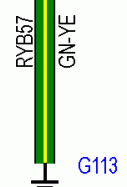
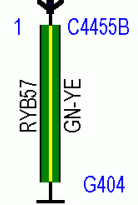
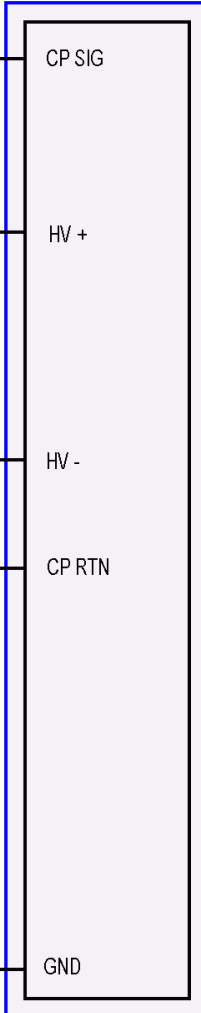
BATTERY CHARGER CONTROL MODULE (BCCM)



WARNING:
 To prevent the risk of high-voltage shock, always follow precisely all warnings and service instructions, including instructions to depower the system.
 The high-voltage system utilizes approximately 300 volts DC, provided through high-voltage cables to its components and modules.
 The high-voltage cables and wiring are identified on the vehicle by orange harness tape or orange wire covering.
 All high voltage components are marked with high voltage warning labels with a high voltage symbol.
 Failure to follow the instructions may result in serious personal injury or death.



CHARGE PORT



PHEV

