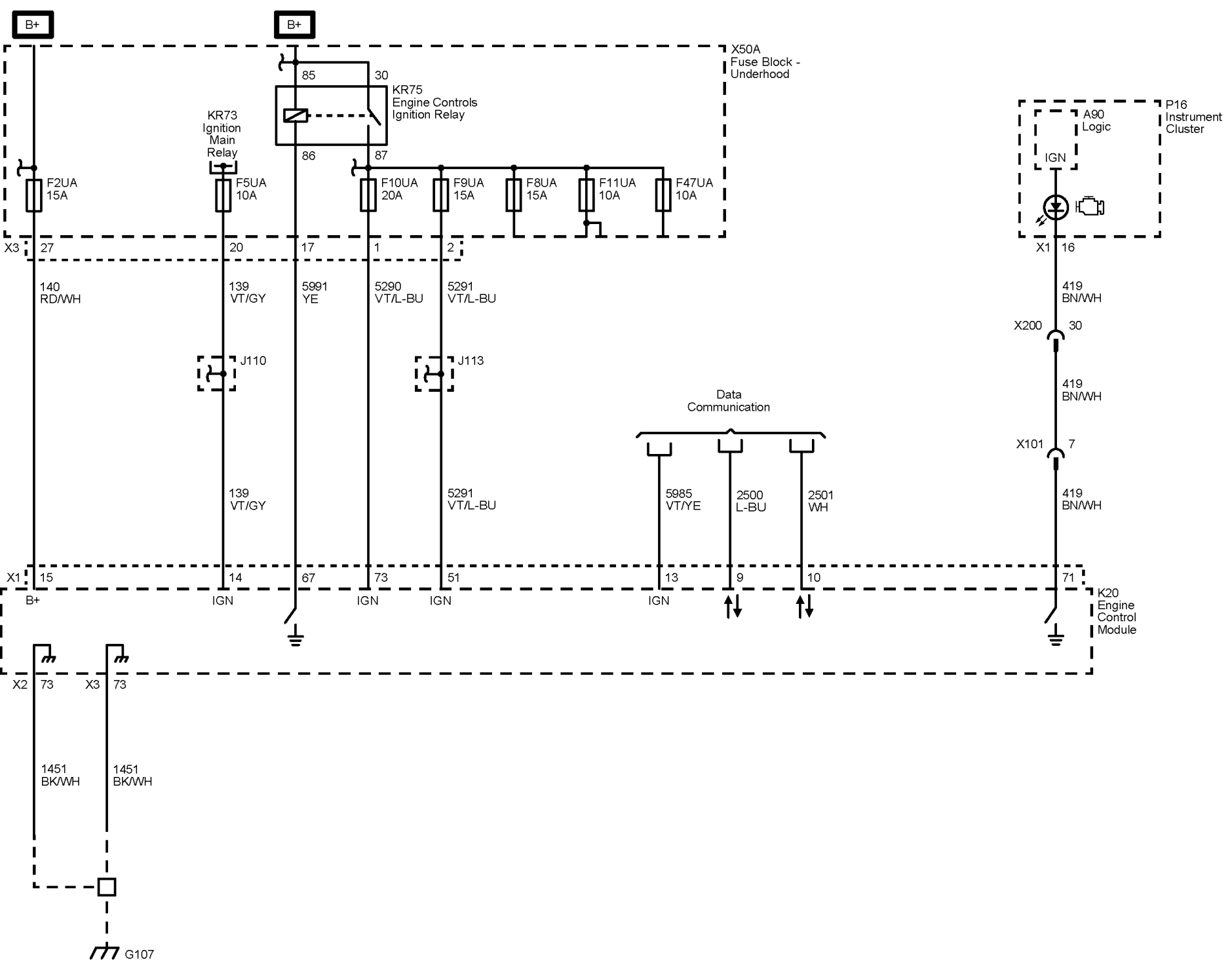
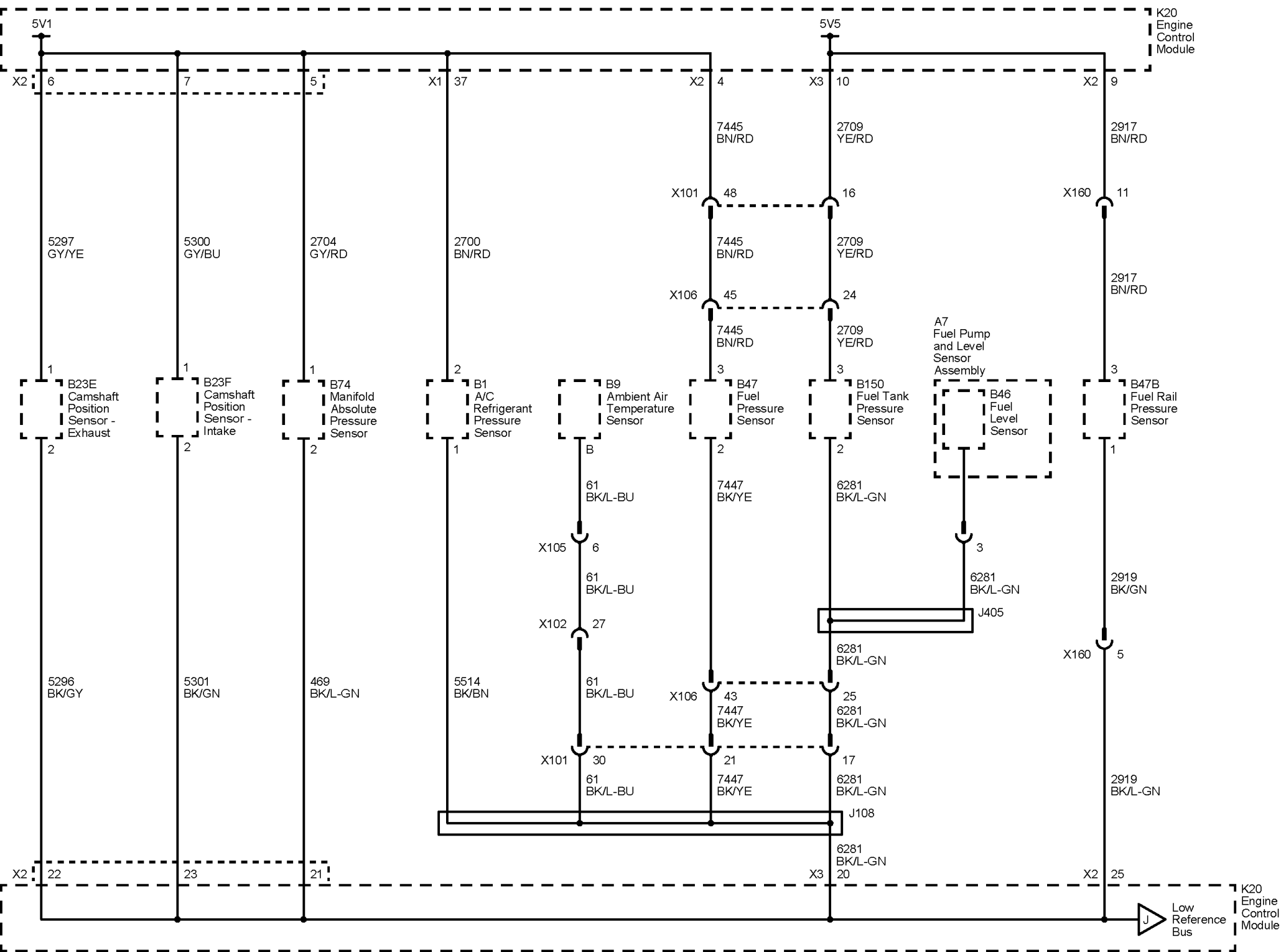


2.5L LCV

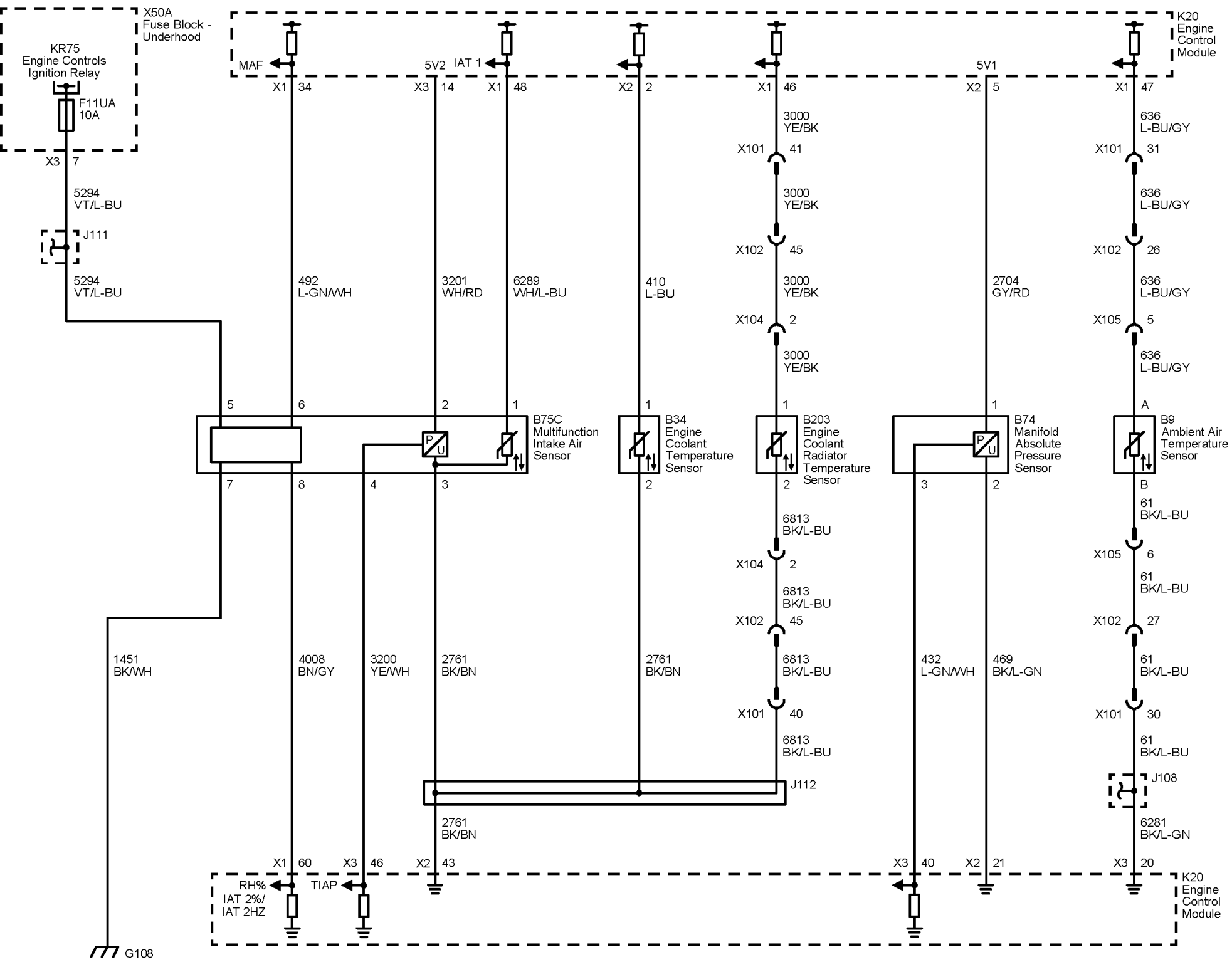
Power, Ground, Serial Data, and MIL



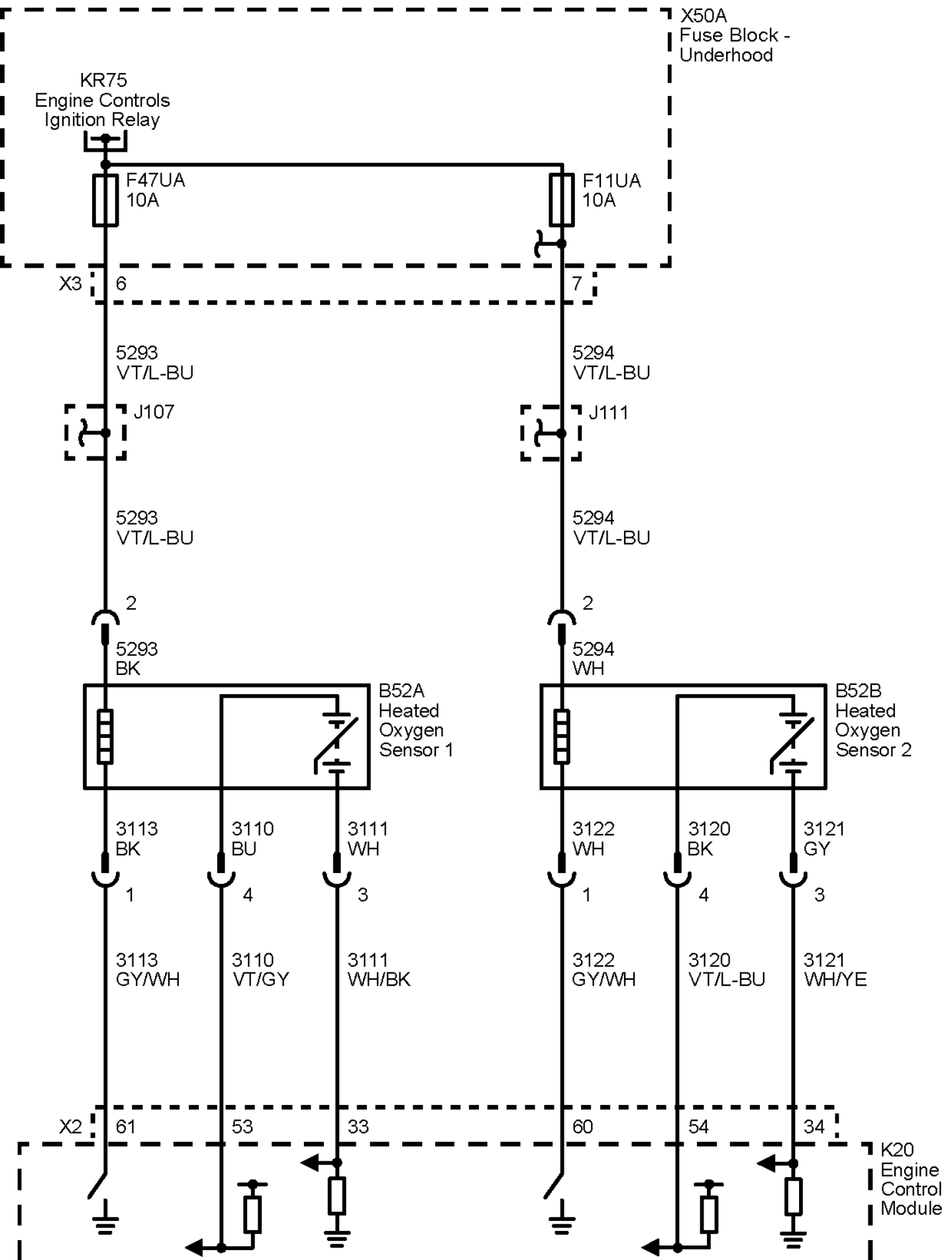
5V1, 5V5, and Low Reference Bus (1 of 2)



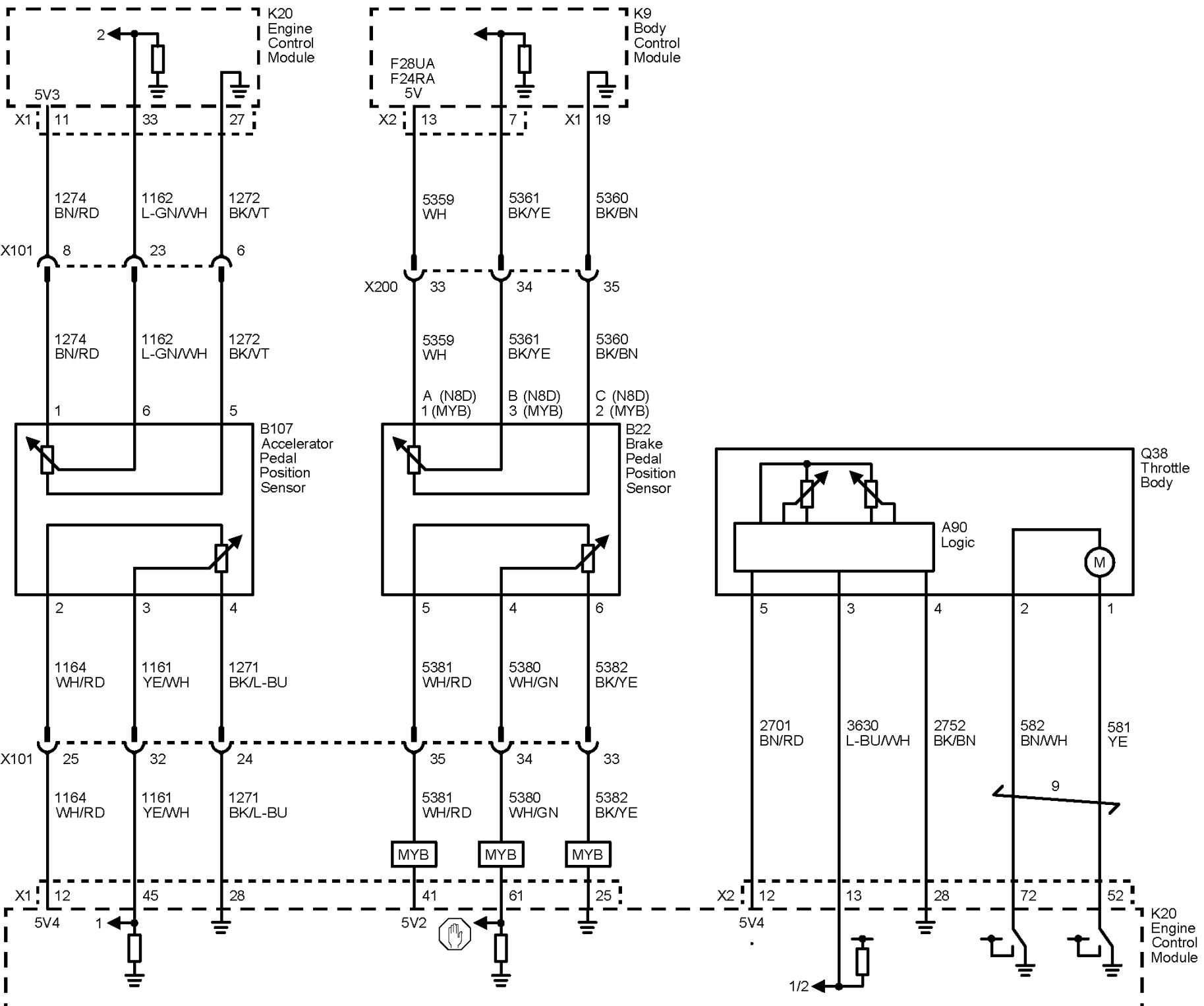
Engine Data Sensors - Pressure and Temperature



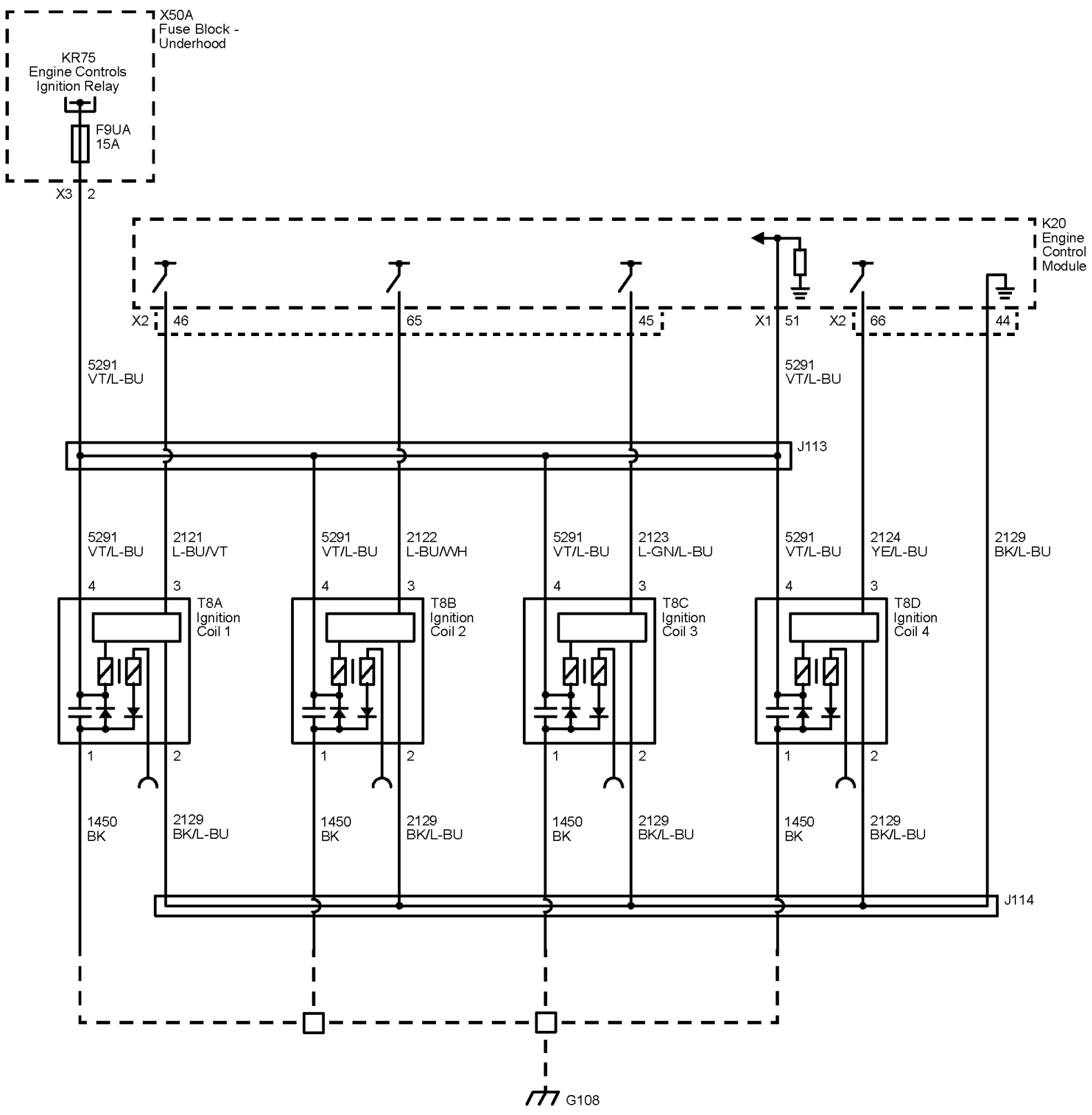
Engine Data Sensors - Oxygen Sensors



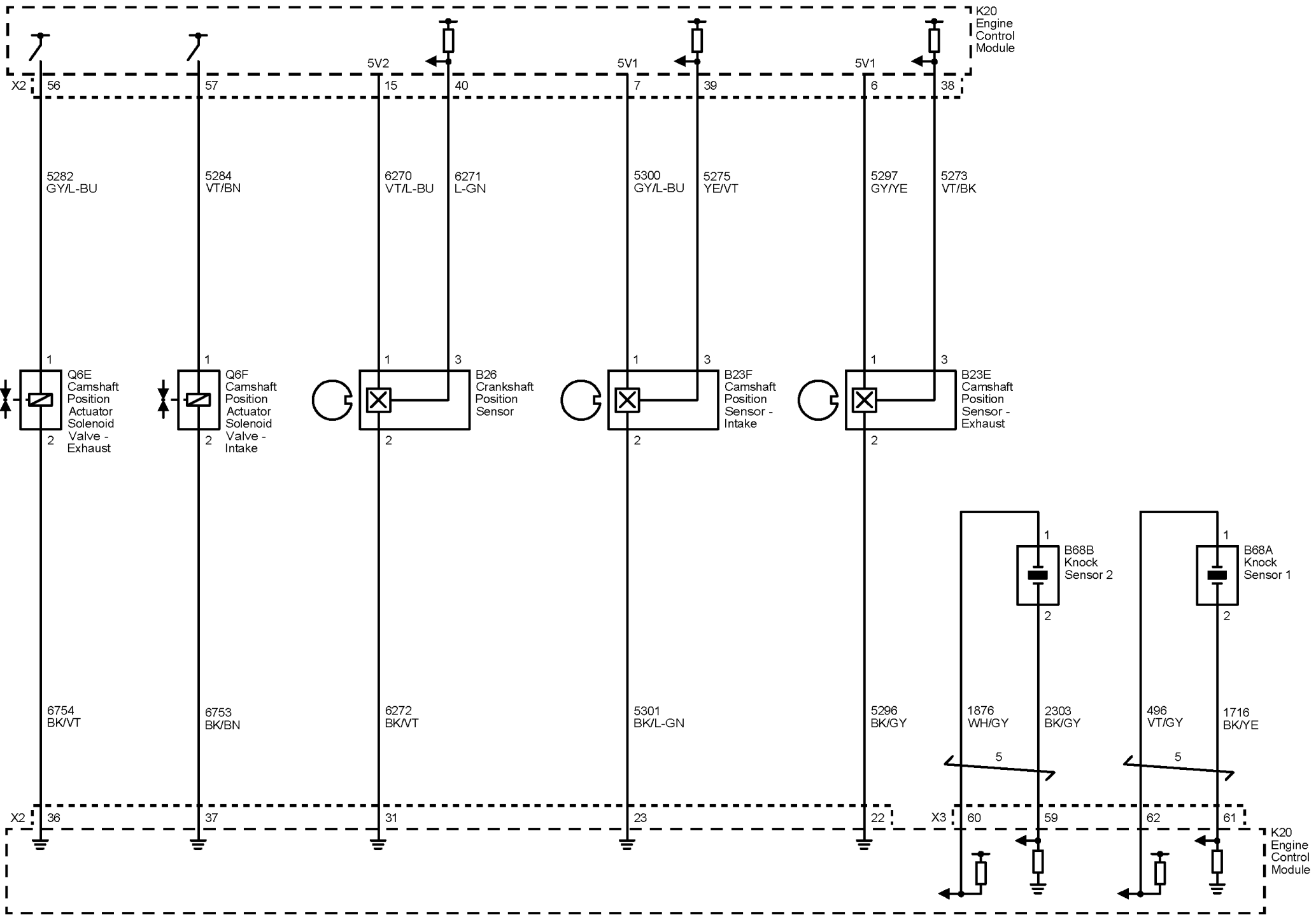
Engine Data Sensors - Throttle Controls



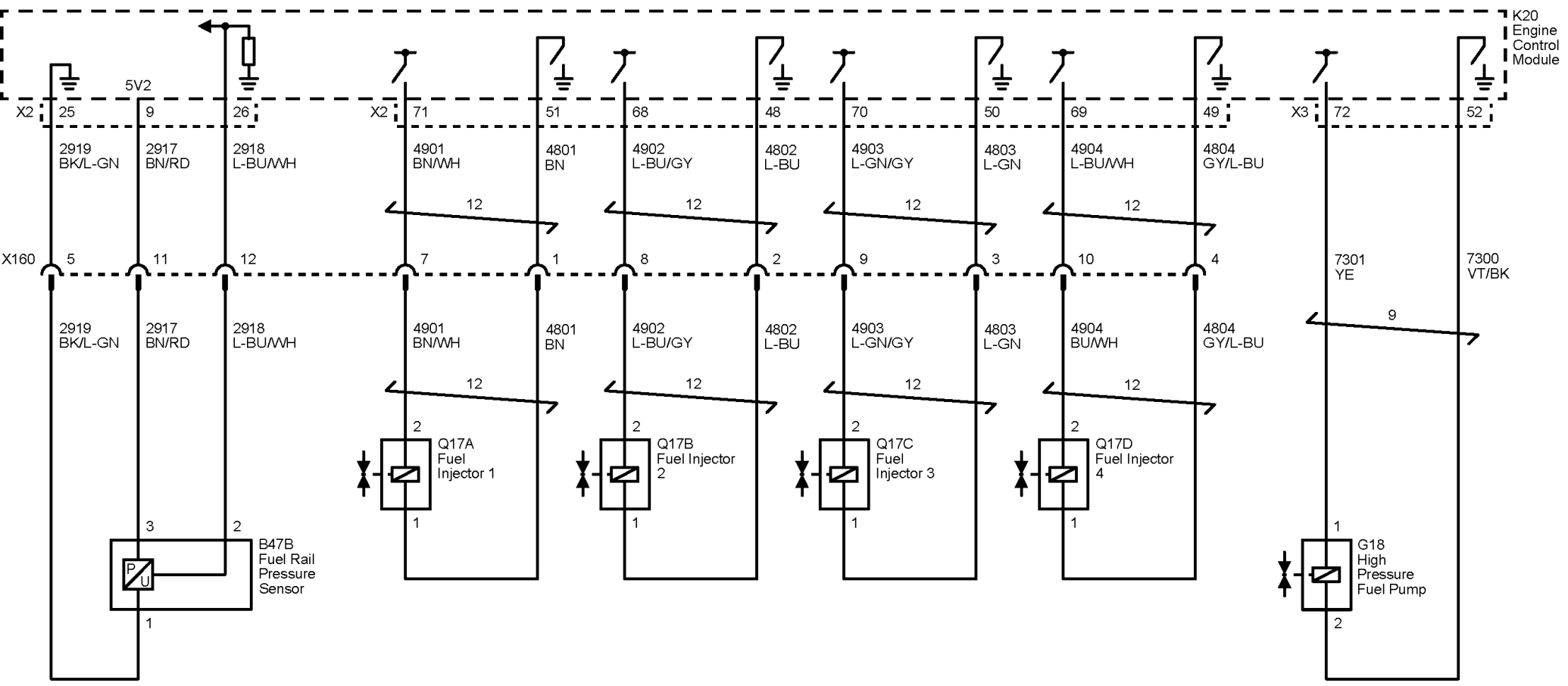
Ignition Controls - Ignition System



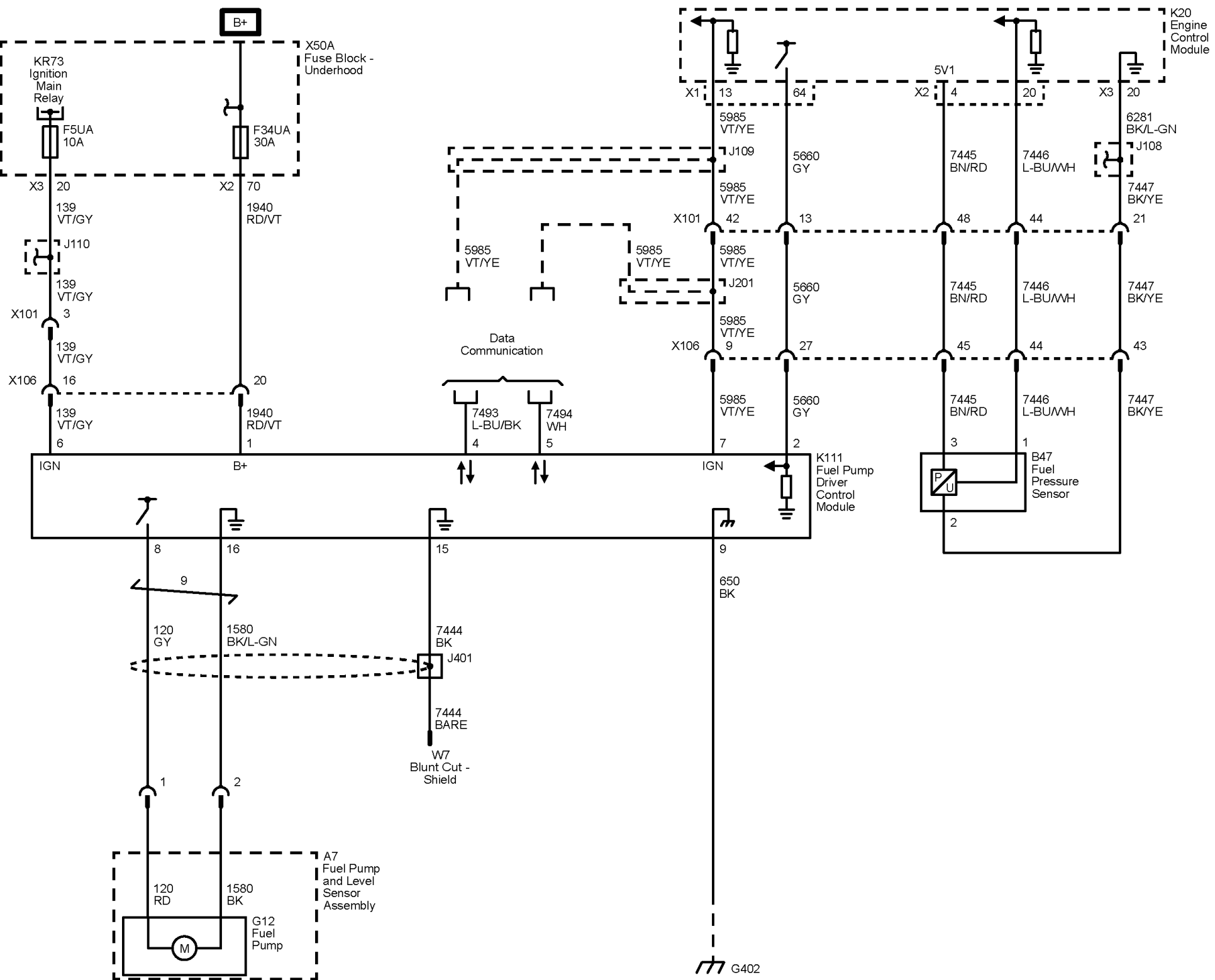
Ignition Controls - Ignition Sensors, and Camshaft Actuators



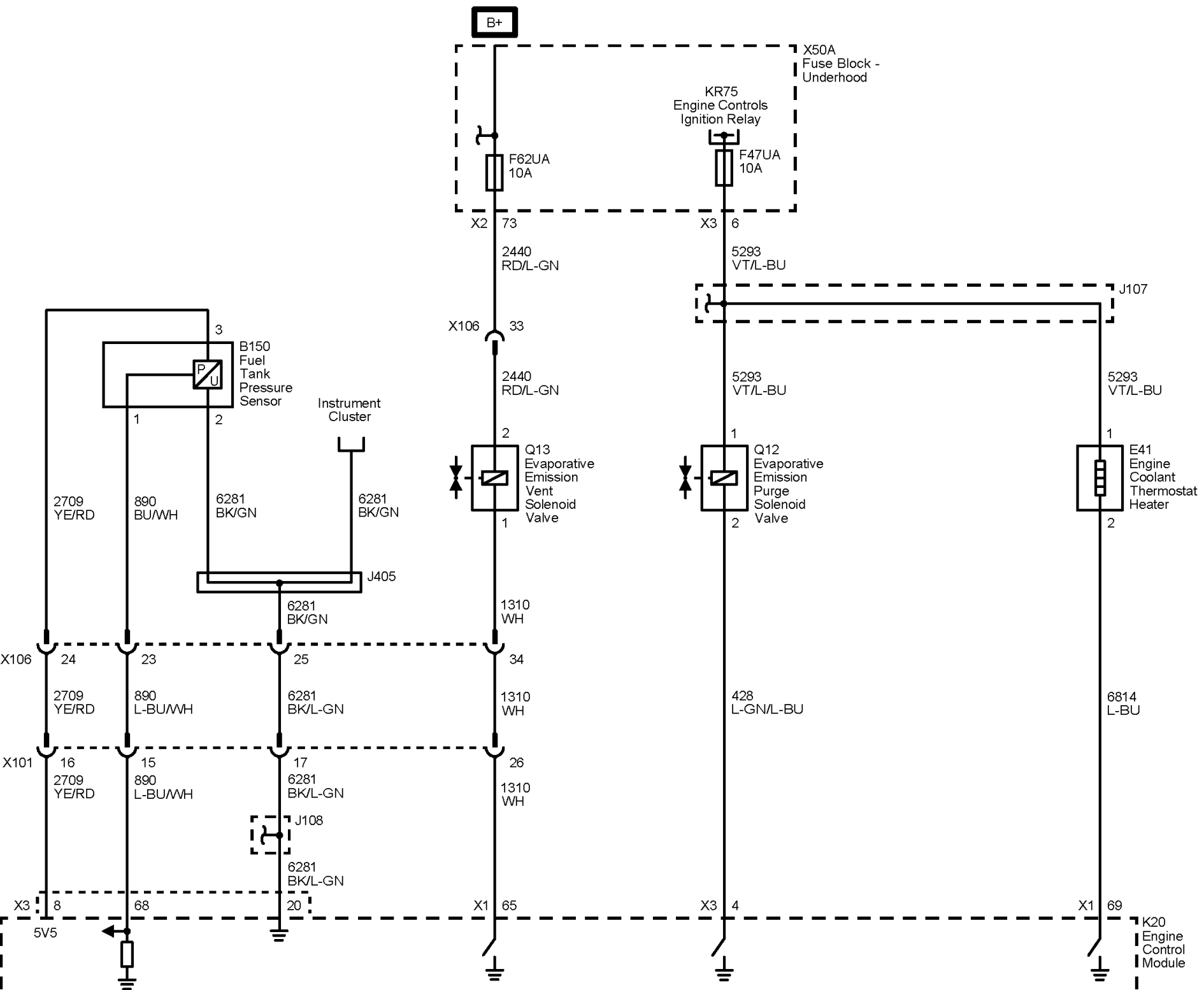
Fuel Controls - Fuel Injectors and High Pressure Control



Fuel Controls - Fuel Pump Controls



Fuel Controls - Evaporative Emission Controls



Controlled/Monitored Subsystem References

