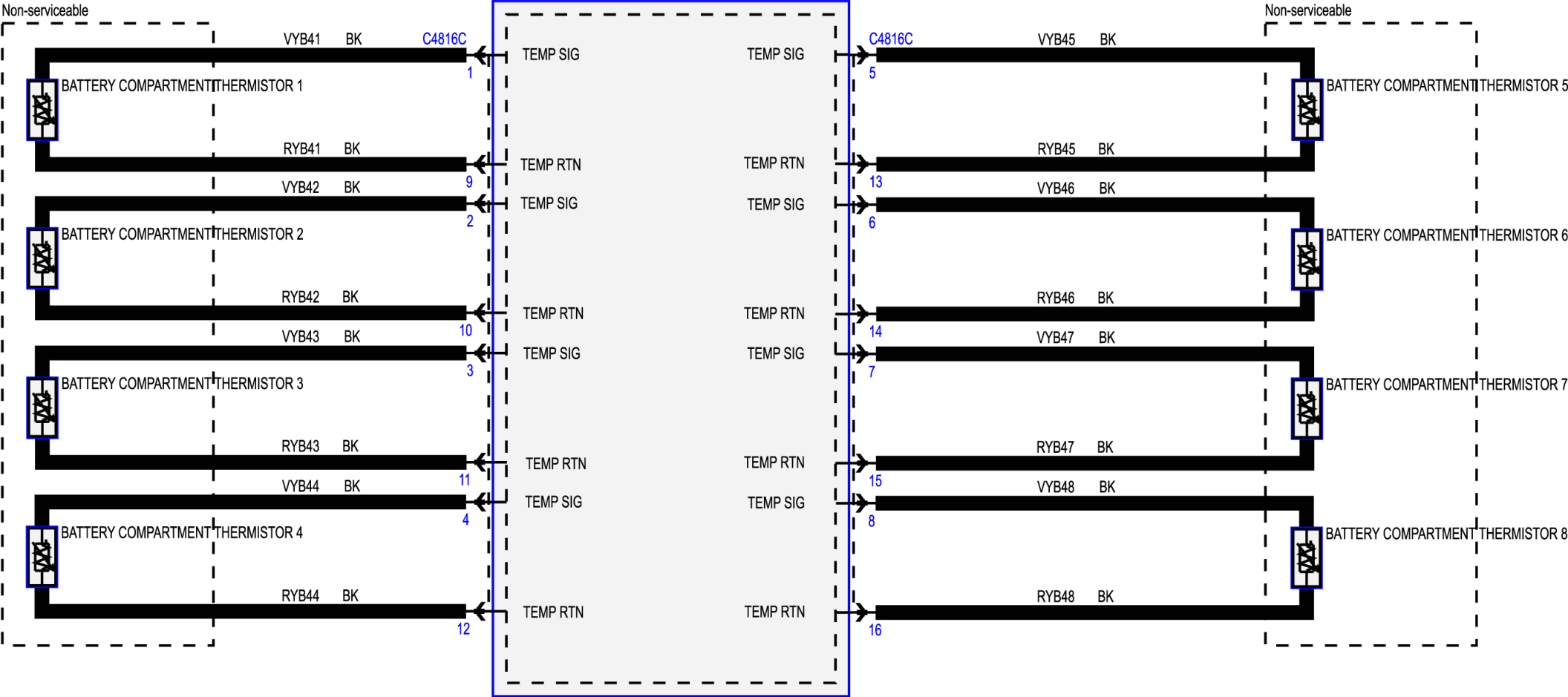


WARNING:

- To prevent the risk of high-voltage shock, always follow precisely all warnings and service instructions, including instructions to depower the system.
- The high-voltage system utilizes approximately 300 volts DC, provided through high-voltage cables to its components and modules.
- The high-voltage cables and wiring are identified on the vehicle by orange harness tape or orange wire covering.
- All high voltage components are marked with high voltage warning labels with a high voltage symbol.
- Failure to follow the instructions may result in serious personal injury or death.

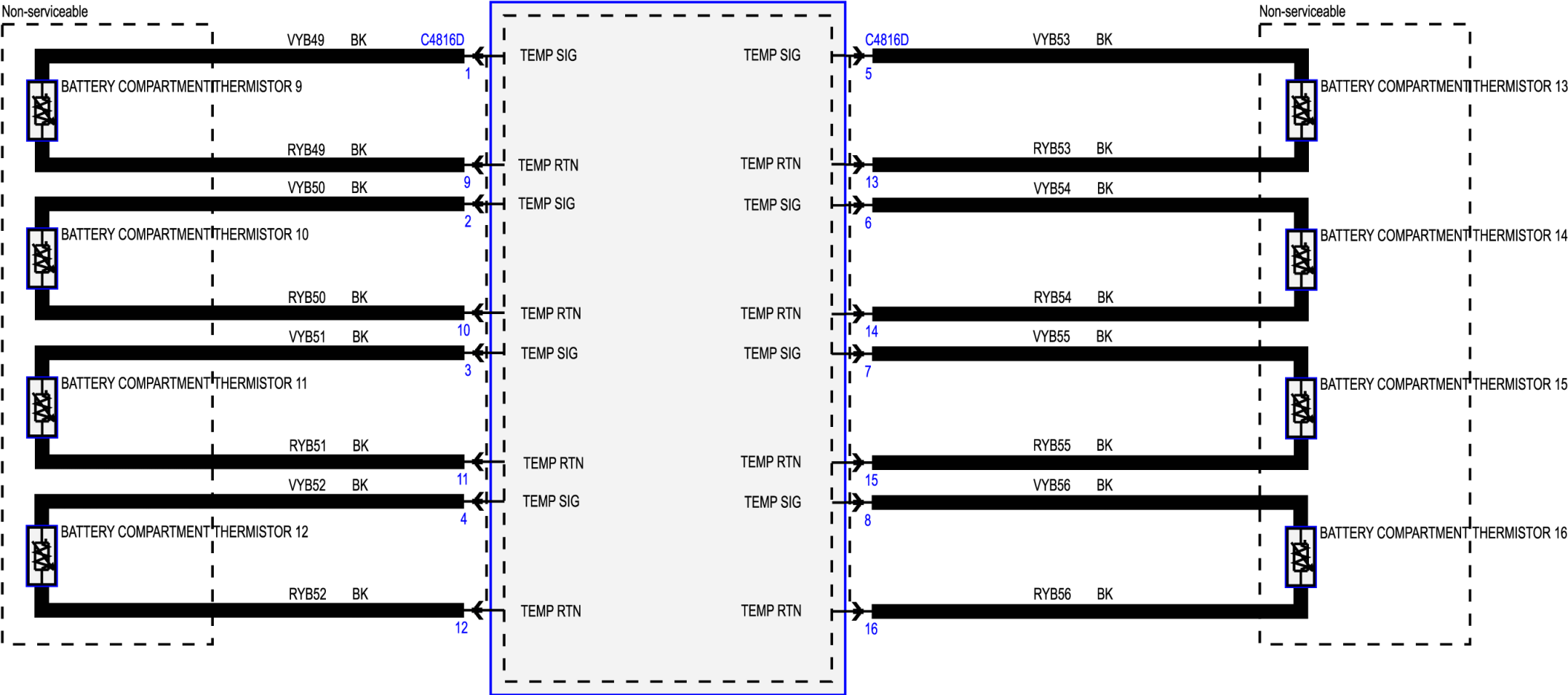
BATTERY ENERGY CONTROL MODULE (BECM)



WARNING:

- To prevent the risk of high-voltage shock, always follow precisely all warnings and service instructions, including instructions to depower the system.
- The high-voltage system utilizes approximately 300 volts DC, provided through high-voltage cables to its components and modules.
- The high-voltage cables and wiring are identified on the vehicle by orange harness tape or orange wire covering.
- All high voltage components are marked with high voltage warning labels with a high voltage symbol.
- Failure to follow the instructions may result in serious personal injury or death.

BATTERY ENERGY CONTROL MODULE (BECM)



WARNING:

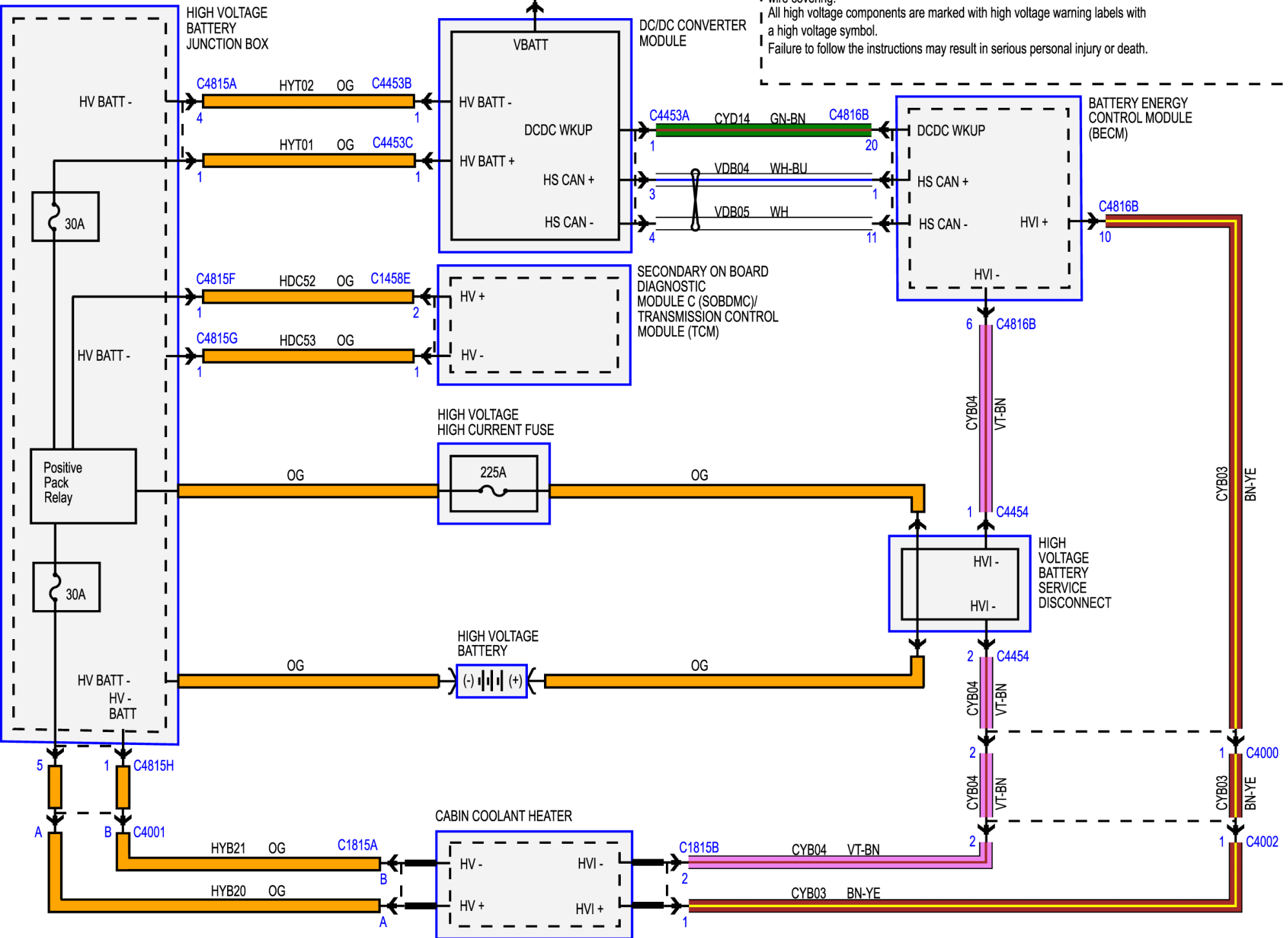
- To prevent the risk of high-voltage shock, always follow precisely all warnings and service instructions, including instructions to depower the system.
- The high-voltage system utilizes approximately 300 volts DC, provided through high-voltage cables to its components and modules.
- The high-voltage cables and wiring are identified on the vehicle by orange harness tape or orange wire covering.
- All high voltage components are marked with high voltage warning labels with a high voltage symbol.
- Failure to follow the instructions may result in serious personal injury or death.

PHEV

CHARGING SYSTEM
A



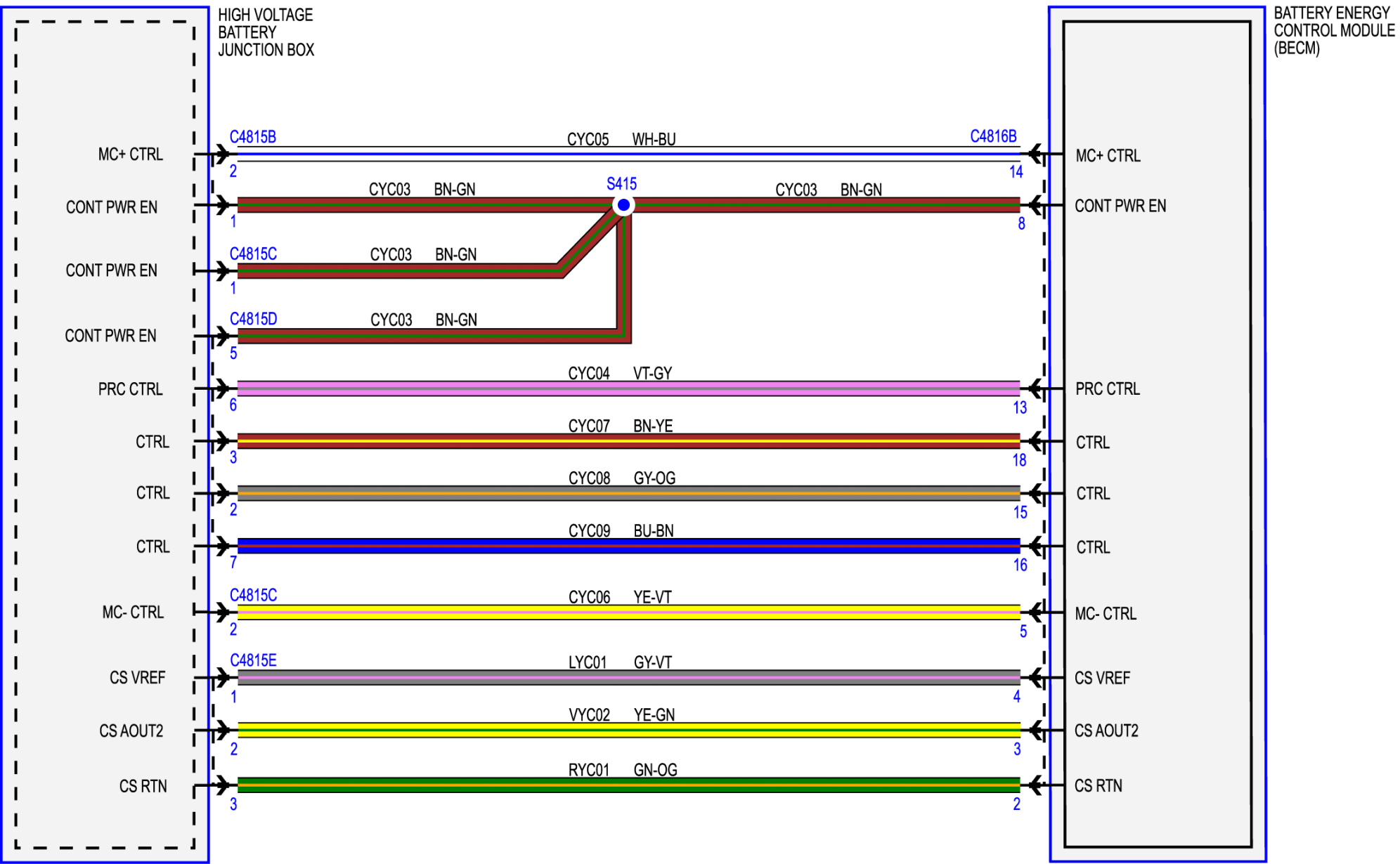
WARNING:
To prevent the risk of high-voltage shock, always follow precisely all warnings and service instructions, including instructions to depower the system.
The high-voltage system utilizes approximately 300 volts DC, provided through high-voltage cables to its components and modules.
The high-voltage cables and wiring are identified on the vehicle by orange harness tape or orange wire covering.
All high voltage components are marked with high voltage warning labels with a high voltage symbol.
Failure to follow the instructions may result in serious personal injury or death.





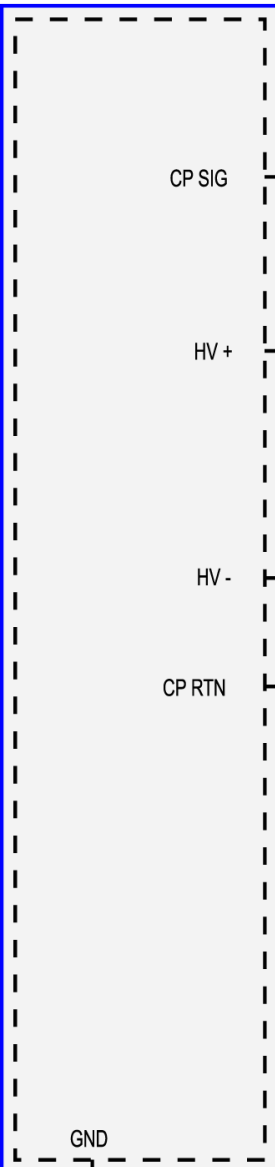
WARNING:

To prevent the risk of high-voltage shock, always follow precisely all warnings and service instructions, including instructions to depower the system.
 The high-voltage system utilizes approximately 300 volts DC, provided through high-voltage cables to its components and modules.
 The high-voltage cables and wiring are identified on the vehicle by orange harness tape or orange wire covering.
 All high voltage components are marked with high voltage warning labels with a high voltage symbol.
 Failure to follow the instructions may result in serious personal injury or death.

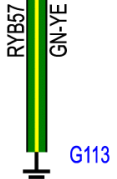
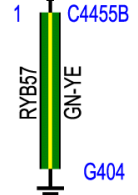
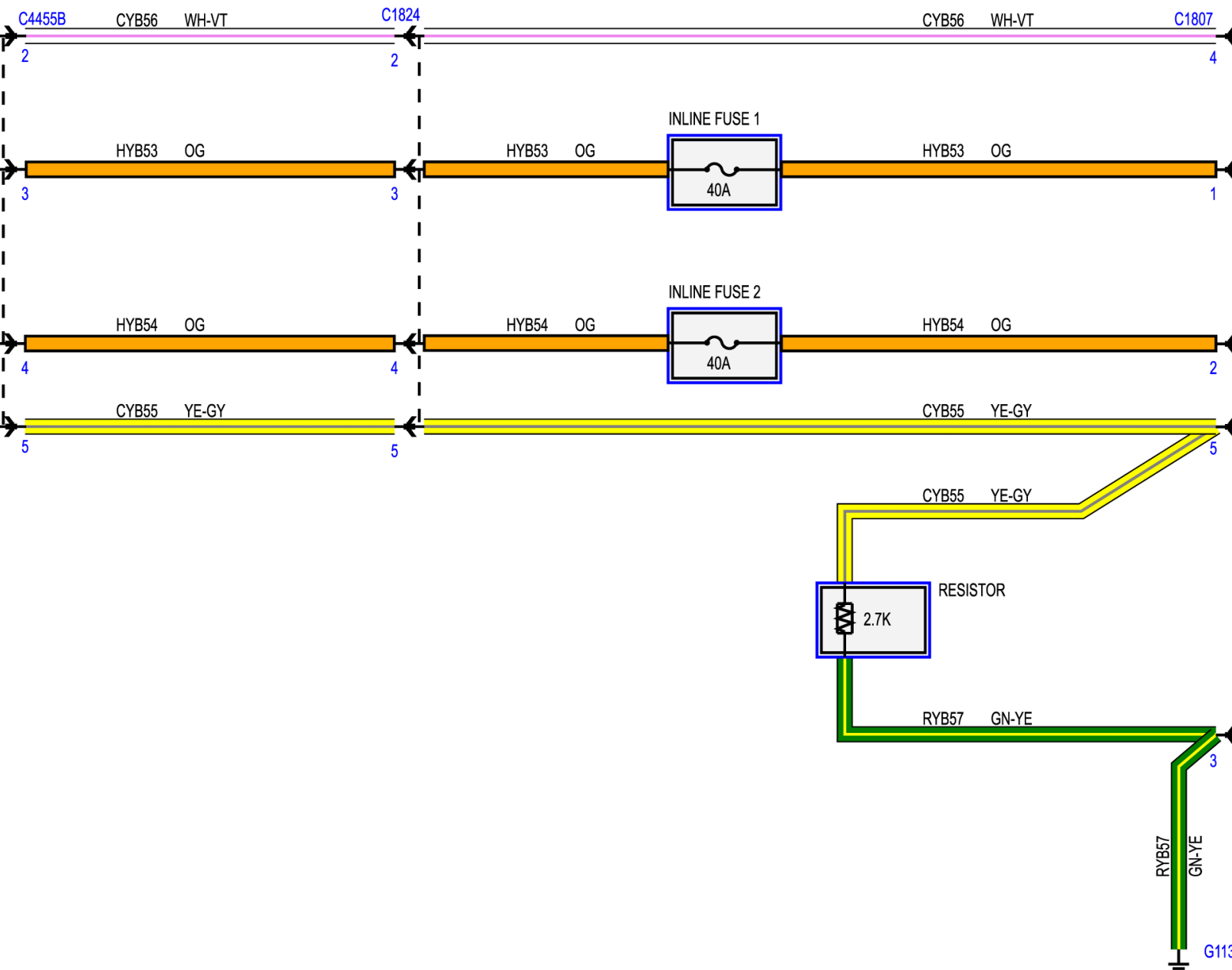
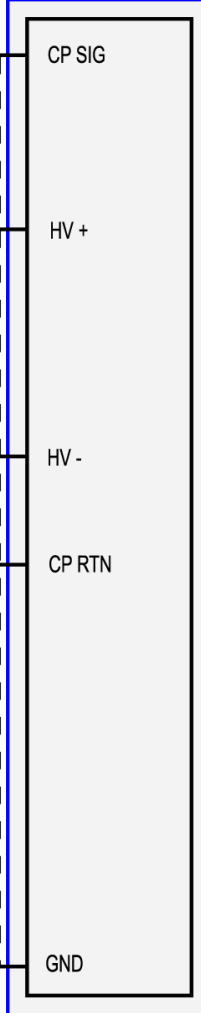


WARNING:
To prevent the risk of high-voltage shock, always follow precisely all warnings and service instructions, including instructions to depower the system.
The high-voltage system utilizes approximately 300 volts DC, provided through high-voltage cables to its components and modules.
The high-voltage cables and wiring are identified on the vehicle by orange harness tape or orange wire covering.
All high voltage components are marked with high voltage warning labels with a high voltage symbol.
Failure to follow the instructions may result in serious personal injury or death.

BATTERY CHARGER CONTROL MODULE (BCCM)



CHARGE PORT



PHEV

