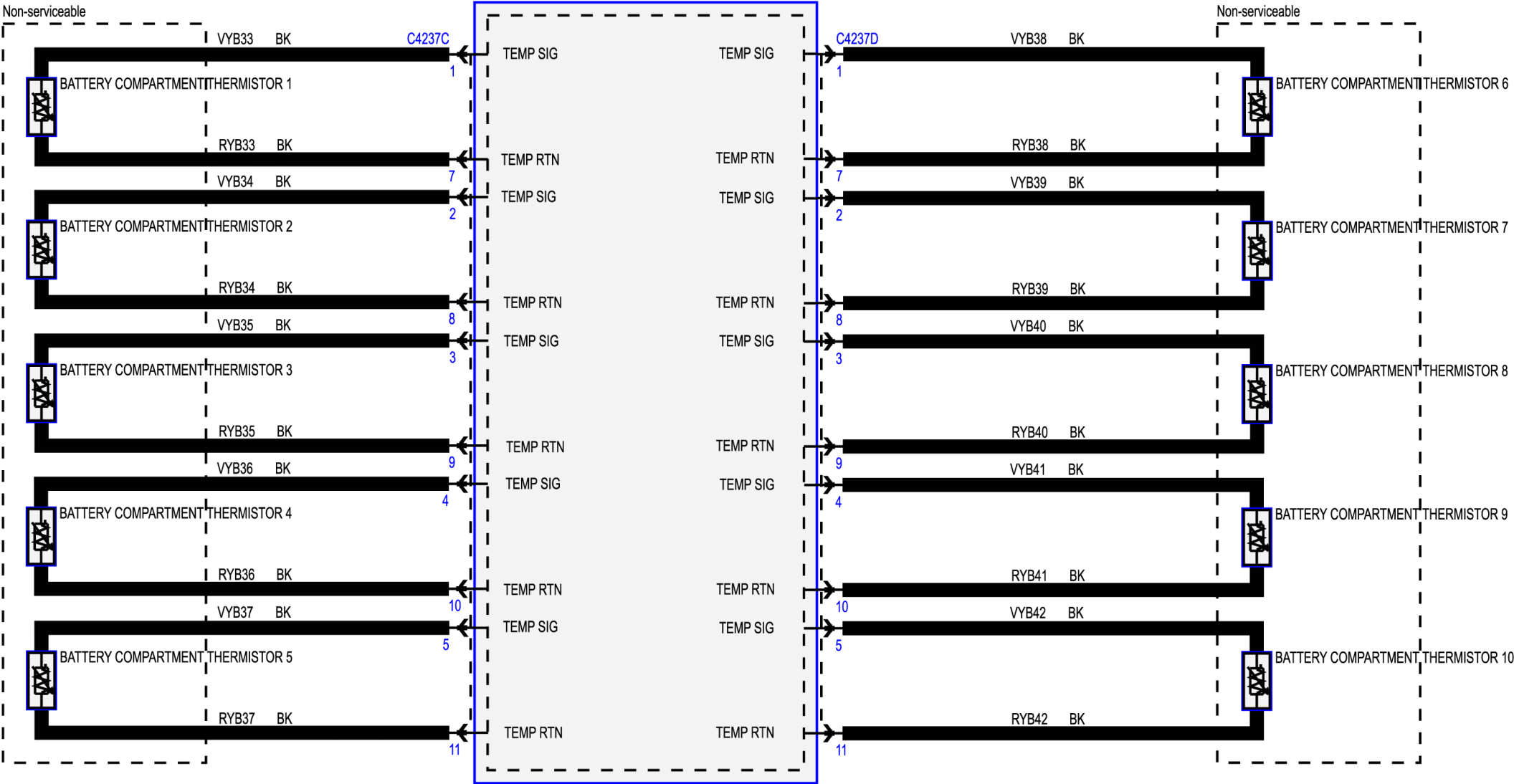


**WARNING:**

- To prevent the risk of high-voltage shock, always follow precisely all warnings and service instructions, including instructions to depower the system.
- The high-voltage system utilizes approximately 300 volts DC, provided through high-voltage cables to its components and modules.
- The high-voltage cables and wiring are identified on the vehicle by orange harness tape or orange wire covering.
- All high voltage components are marked with high voltage warning labels with a high voltage symbol.
- Failure to follow the instructions may result in serious personal injury or death.

BATTERY ENERGY CONTROL MODULE (BECM)

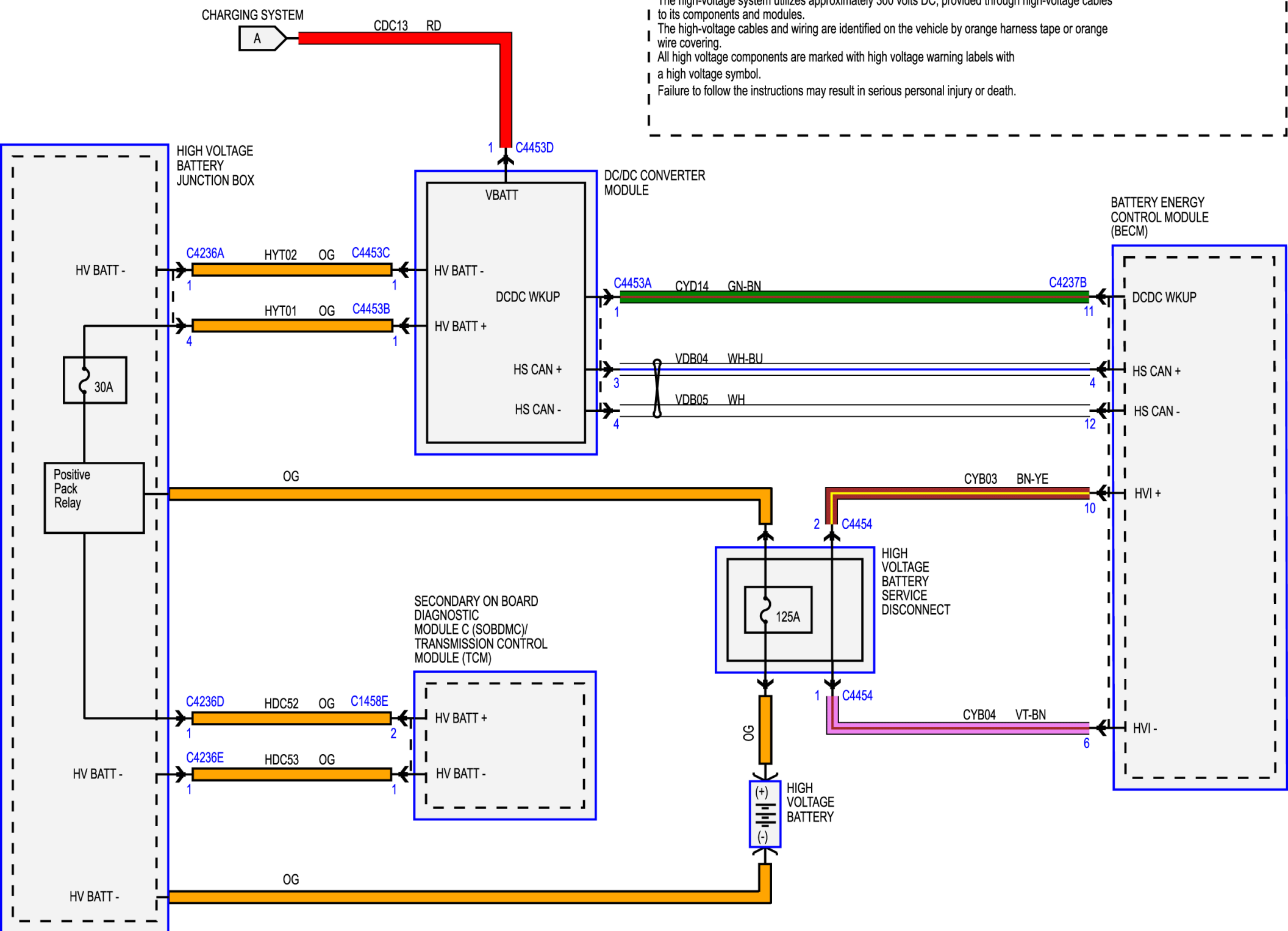


**WARNING:**

To prevent the risk of high-voltage shock, always follow precisely all warnings and service instructions, including instructions to depower the system.  
 The high-voltage system utilizes approximately 300 volts DC, provided through high-voltage cables to its components and modules.  
 The high-voltage cables and wiring are identified on the vehicle by orange harness tape or orange wire covering.  
 All high voltage components are marked with high voltage warning labels with a high voltage symbol.  
 Failure to follow the instructions may result in serious personal injury or death.



**WARNING:**  
 To prevent the risk of high-voltage shock, always follow precisely all warnings and service instructions, including instructions to depower the system.  
 The high-voltage system utilizes approximately 300 volts DC, provided through high-voltage cables to its components and modules.  
 The high-voltage cables and wiring are identified on the vehicle by orange harness tape or orange wire covering.  
 All high voltage components are marked with high voltage warning labels with a high voltage symbol.  
 Failure to follow the instructions may result in serious personal injury or death.





**WARNING:**

- To prevent the risk of high-voltage shock, always follow precisely all warnings and service instructions, including instructions to depower the system.
- The high-voltage system utilizes approximately 300 volts DC, provided through high-voltage cables to its components and modules.
- The high-voltage cables and wiring are identified on the vehicle by orange harness tape or orange wire covering.
- All high voltage components are marked with high voltage warning labels with a high voltage symbol.
- Failure to follow the instructions may result in serious personal injury or death.

