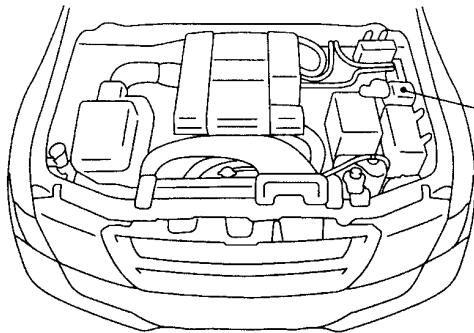

SINGLE PART INSTALLATION POSITION

CONTENTS

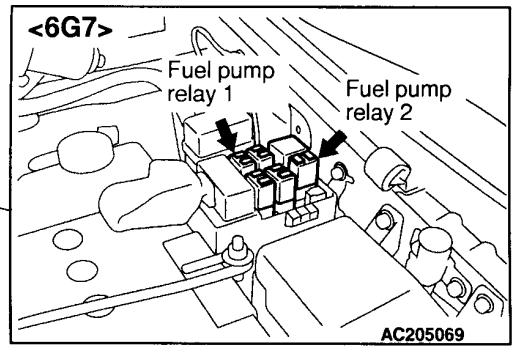
RELAY	2	SENSOR	3
ECU	2		



RELAY

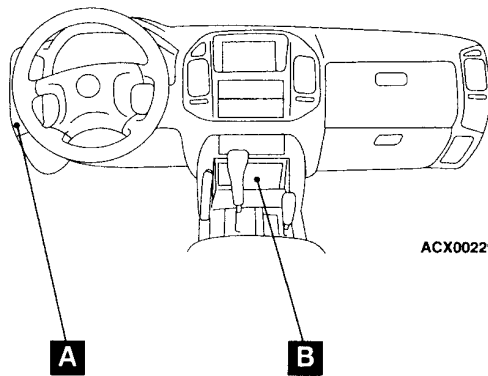


AC205477

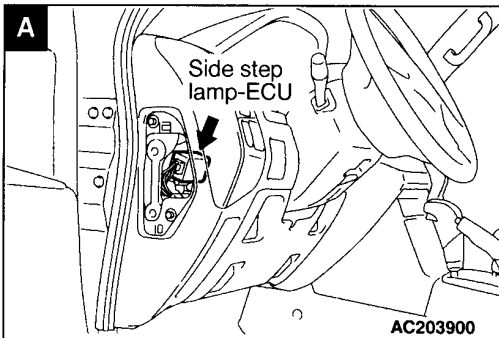


ECU

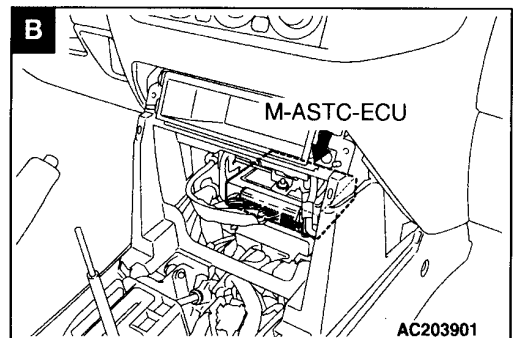
Name	Symbol	Name	Symbol
M-ASTC-ECU	B	Side step lamp-ECU	A



ACX00229



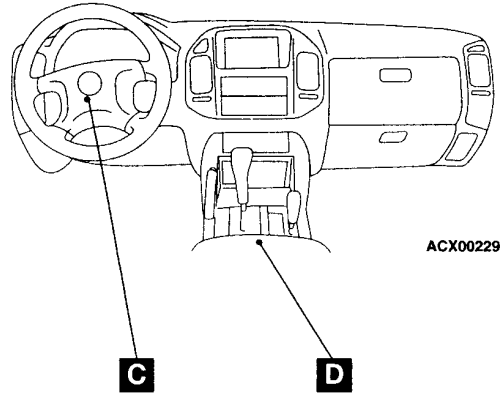
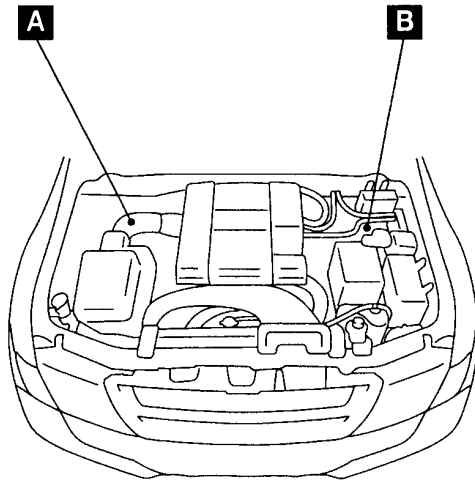
AC203900



AC203901

SENSOR

Name		Symbol	Name	Symbol
G and yaw rate sensor		D	Steering wheel sensor	C
Pressure sensor	LHD	B		
	RHD	A		



AC205477

